

Features

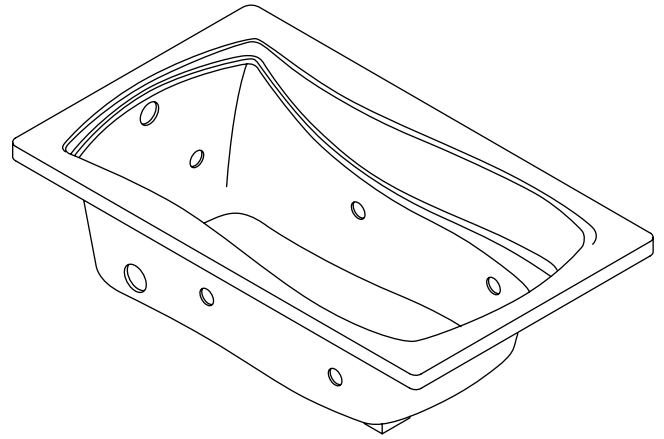
- Acrylic
- Drop-in
- 5 individually adjustable ProFlex® hydro-massage jets
- Pump with air switch and grounding-type plug-in cord
- In-line heater
- Optional K-9695 metal finish 5 jet trim kit
- Optional K-1234 removable apron
- 66" (167.6 cm) x 35-7/8" (91.1 cm) x 20" (50.8 cm)

Codes/Standards Applicable

Specified model meets or exceeds the following:

- ASME A112.19.7M
- ANSI Z124.1.2
- ASTM E162
- ASTM E662
- UL 1795

CUSTOM BATH WHIRLPOOL WITH HEATER K-1224-HB



Colors/Finishes

- 0: White
- Other: Refer to Price Book for additional colors/finishes

Accessories

- CP: Polished Chrome
- PB: Vibrant® Polished Brass
- Other: Refer to Price Book for additional colors/finishes

Specified Model

| Model | Description | Colors/Finishes | | |
|--------------------------------|---|-----------------------------|---|-------------------------------------|
| K-1224-HB | Custom bath whirlpool with heater - drop-in | <input type="checkbox"/> 0 | <input type="checkbox"/> Other_____ | |
| Recommended Accessories | | | | |
| K-7161-AF | Adjustable pop-up drain with tailpiece | <input type="checkbox"/> CP | <input type="checkbox"/> PB | <input type="checkbox"/> Other_____ |
| Optional Accessories | | | | |
| K-1234 | Removable apron | <input type="checkbox"/> 0 | | <input type="checkbox"/> Other_____ |
| K-9695 | Metal finish 5 jet trim kit | | <input type="checkbox"/> CP <input type="checkbox"/> PB | <input type="checkbox"/> Other_____ |

Product Specification

The acrylic bath whirlpool shall be 60" (152.4 cm) in length, 35-7/8" (91.1 cm) in width, and 20" (50.8 cm) in height. Bath whirlpool shall be for drop-in installation. Bath whirlpool shall have 5 individually adjustable ProFlex® hydro-massage jets, a pump with air switch and grounding-type plug-in cord, and an in-line heater. Bath whirlpool shall be available with an optional K-1234 removable apron and an optional K-9695 metal finish 5 jet trim kit. Bath whirlpool shall be Kohler Model K-1239-HB-_____.

MARIPOSA®

Technical Information

| | |
|---|--------------------------------|
| Fixture*: | |
| Bathing well: | |
| Basin area, bottom | 48" (121.9 cm) x 24" (61 cm) |
| Basin area, top | 59" (149.9 cm) x 30" (76.2 cm) |
| Weight | 115 lbs (52.2 kg) |
| To overflow: | |
| Water depth | 14" (35.6 cm) |
| Capacity | 67 gal (253.6 L) |
| * Approximate measurements for comparison only. | |

| | |
|-----------------|--------------------------------|
| Drop-in cutout: | 64" (162.6 cm) x 34" (86.4 cm) |
|-----------------|--------------------------------|

| | | | | |
|---------|-----|-----|-----|------|
| Pump: | V | Hz | A | |
| 1-speed | 120 | 60 | 7.5 | |
| Heater: | Kw | V | Hz | A |
| | 1.5 | 120 | 60 | 12.5 |

Required Electrical Service

| | |
|---|--------------------|
| Two dedicated circuits required, each protected with Class A Ground-Fault Circuit-Interrupter (GFCI): | |
| Pump/control | 120 V, 15 A, 60 Hz |
| Heater | 120 V, 15 A, 60 Hz |
| Locate the outlets behind the whirlpool and within 24" (61 cm) of the pump. | |

Installation Notes

Install this product according to the installation guide.

Floor support under whirlpool must provide for a minimum of 43 lbs/square foot (208 kg/square meter) loading.

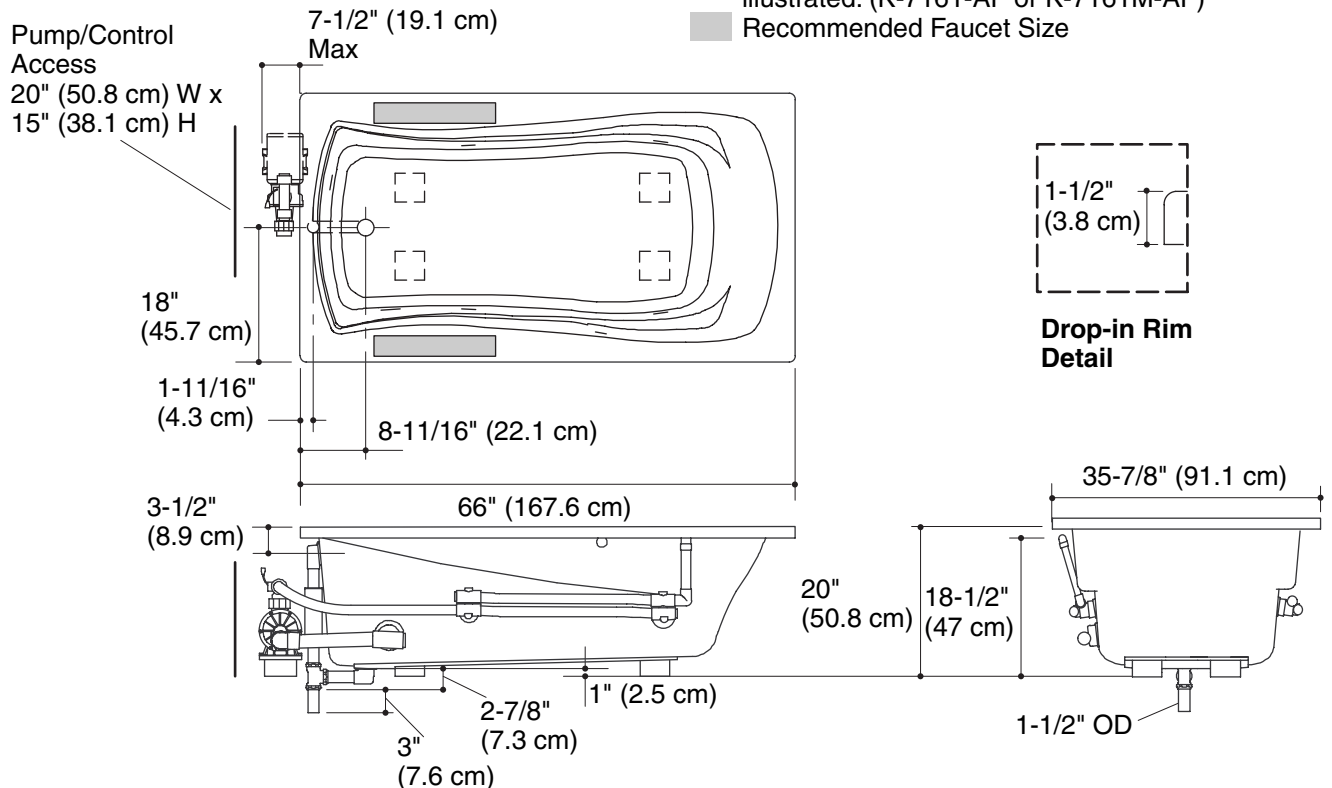
If installing a rim-mount faucet, make sure there is no interference with the drain overflow and circulating system before drilling any holes. If installing a spout on the faucet deck, consult local and national codes for minimum air gap requirements.

The apron must be installed before the finished floor and wall materials are installed.

Pump must be relocated to custom position at the time of installation. Provide adequate clearance.

No change in measurements if connected with drain illustrated. (K-7161-AF or K-7161M-AF)

■ Recommended Faucet Size



Product Diagram