

Features

- Metal construction
- Available with 4-7/8" (12.4 cm) diverter bath spout with NPT or slip-fit connection
- Includes showerhead with arm and flange
- Includes faceplate and lever handle

**BATH AND SHOWER FAUCET TRIM
K-T15601**



Codes/Standards Applicable

Specified model meets or exceeds the following:

- ASME A112.18.1/CSA B125.1
- IAPMO/cUPC

Colors/Finishes


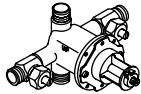
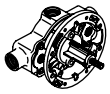
- CP: Polished Chrome
- PB: Vibrant® Polished Brass
- Other: Refer to Price Book for additional colors/finishes

Accessories:

- NA: None applicable

Specified Model

Model	Description	Colors/Finishes		
K-T15601-4	Bath and shower faucet trim with lever handle and NPT spout	<input type="checkbox"/> CP		
K-T15601-4S	Bath and shower faucet trim with lever handle and slip-fit spout	<input type="checkbox"/> CP	<input type="checkbox"/> PB	<input type="checkbox"/> Other_____

Required Accessories				
K-304-K	Rite-Temp® valve without stops OR	<input type="checkbox"/> NA		
K-304-KS	Rite-Temp® valve with stops OR		<input type="checkbox"/> NA	
K-306-KS	HiFlow Rite-Temp® valve with integral stops OR			<input type="checkbox"/> NA
K-308-K	Non-pressure balancing valve without stops OR	<input type="checkbox"/> NA		
K-308-KS	Non-pressure balancing valve with stops		<input type="checkbox"/> NA	

Product Specification

Single-control bath and shower faucet trim shall be of metal construction. Product shall include showerhead with arm and flange, faceplate with lever handle, and 4-7/8" (12.4 cm) diverter bath spout with NPT or slip-fit connection. Faucet trim shall be Kohler Model K-T15601-_____-_____- and mixing valve shall be Kohler Model K-_____-_____-NA.

CORALAIS®

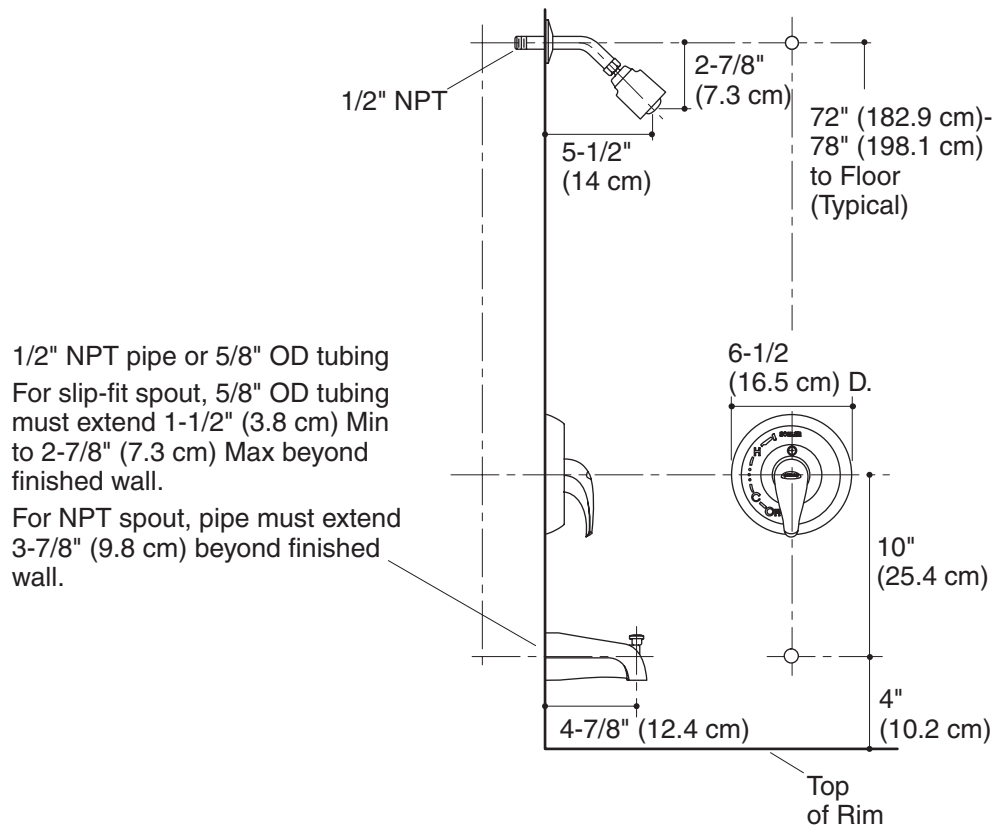
Installation Notes

Install this product according to the installation guide.

Avoid cross-flow conditions. Do not install shut-off device on either valve outlet.

Cap shower outlet if deck-mount spout, diverter, or handshower is connected to spout outlet.

Install straight pipe or tube drop of 7" (17.8 cm) to 18" (45.7 cm) with single elbow between valve and wall-mount spout.



Product Diagram